



CATALYST™
FENCE SOLUTIONS

HV-POST FENCE SYSTEM



Read all instructions prior to installing product.

Refer to manufacturers safety instructions when operating any tools.

To register your product, please visit: CatalystFence.com.

Installation Instructions

English.....1

In case of a warranty claim, call **888.549.7350**.



WARNING:

- Improper installation of this product can result in personal injury. Always wear safety goggles when cutting, drilling and assembling the product.
- Incorrect installation may cause harm to the gate or individual.
- Check local building codes to determine pool-safe product options.



NOTICE:

- DO NOT attempt to assemble the kit if parts are missing or damaged.
- DO NOT return the product to the store. For assistance or replacement parts call: **888.549.7350**.

BEFORE YOU BEGIN:

Check your local zoning laws.

- Local zoning laws and Home Owners Associations may regulate the location, style and height of your fence and gate or even require a permit signoff beforehand.
- Check local codes for frost line depth and regulations.

Contact your local utilities companies.

- You must have the utility companies clearly mark your property for electrical, gas or water lines to avoid puncturing any unseen underground utilities.

TOOLS/MATERIALS NEEDED:

Level
Pencil
Tape Measure
Rubber Mallet
Phillips Screwdriver

Available HV-Post Fence System Components:

Description
HV-Post Brackets
HV-Channel Inserts
Line HV-Post
Corner HV-Post
Rails
Screws

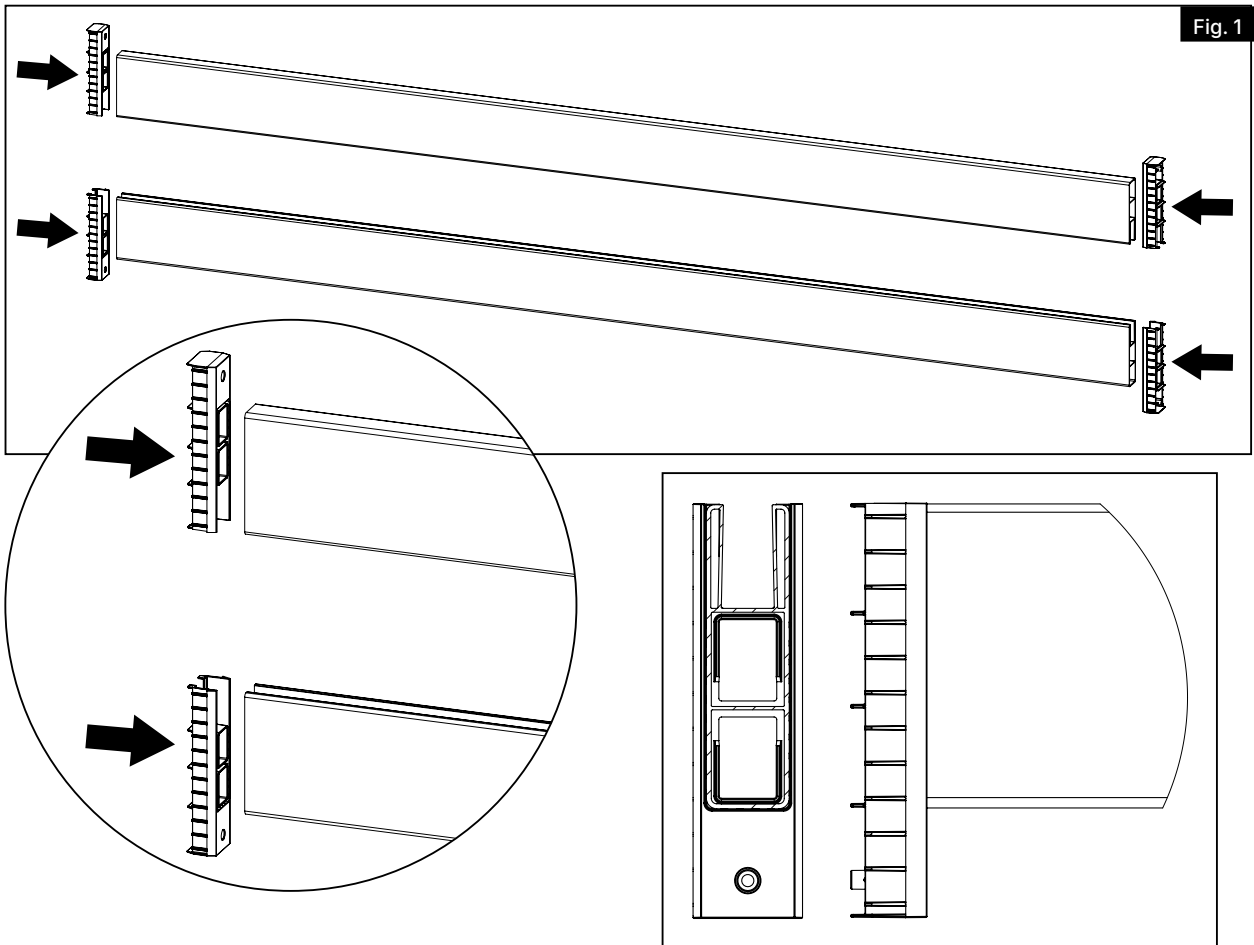
To obtain and review a copy of the warranty please visit **CatalystFence.com**. You may also contact us at **888.549.7350** or email **info@CatalystFence.com**.

1. Typical Solid Privacy Fence Installation

Slide brackets onto the end of each rail, top and bottom (Fig. 1).

NOTE:

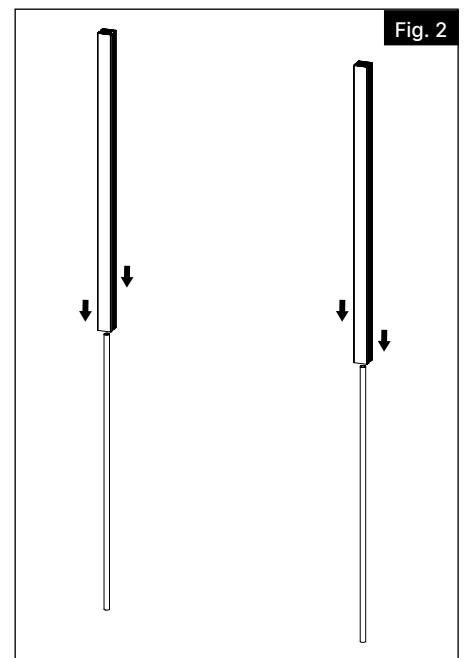
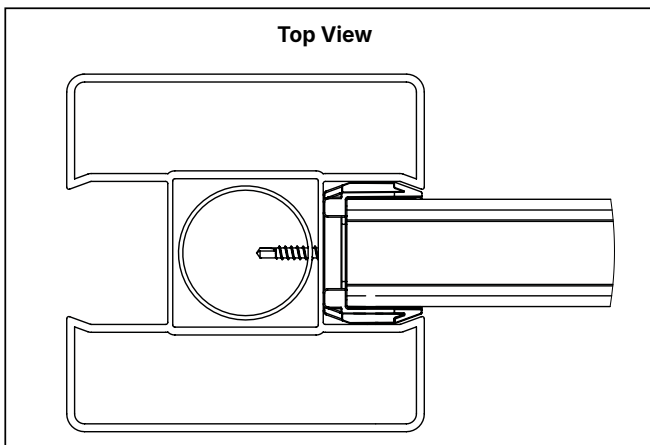
Top rail bracket should have the screw hole at the top. Bottom Bracket should have screw hole at the bottom



2. Slide vinyl HV post over 1/8" galvanized posts, or install posts in concrete similar to other vinyl fence.

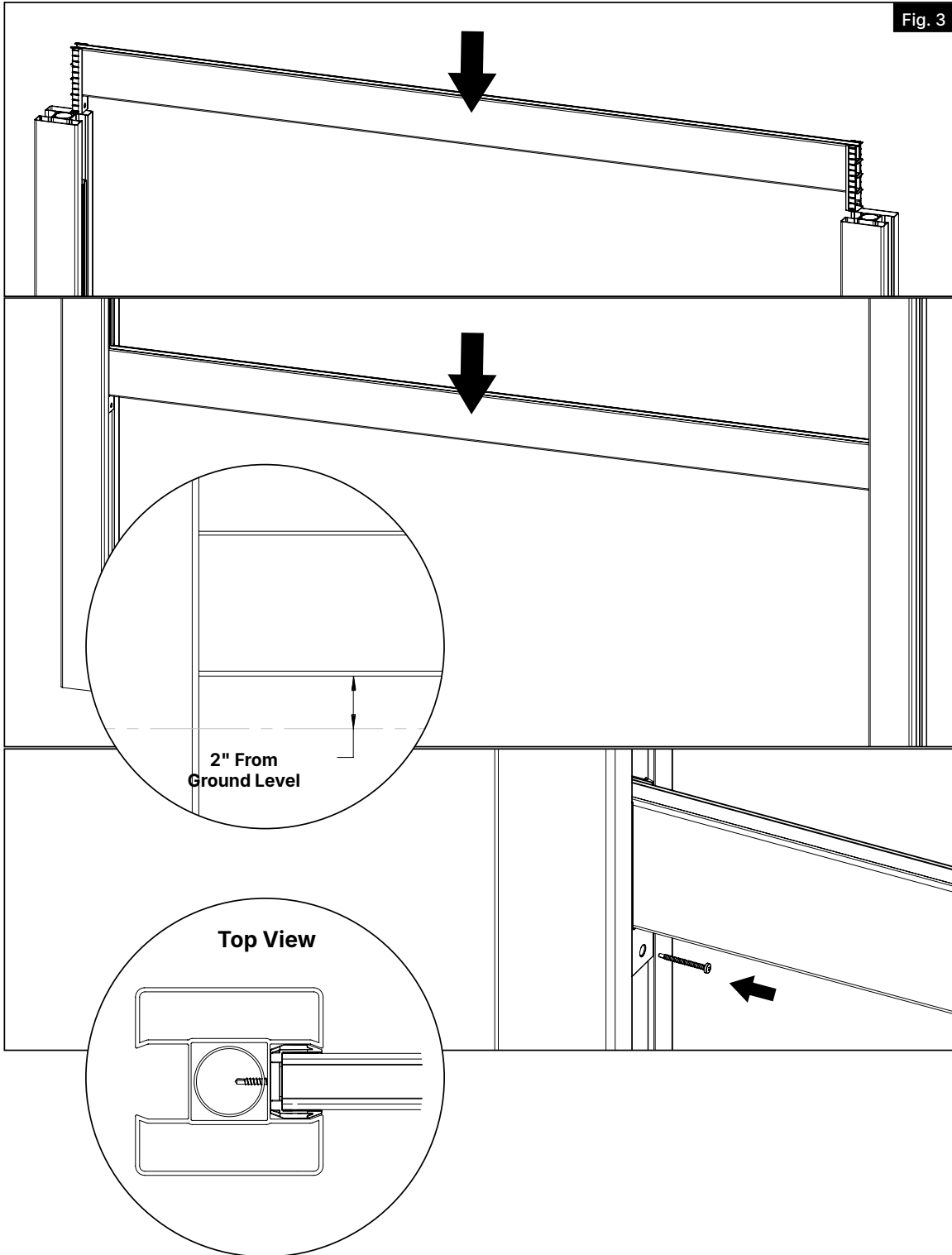
NOTE:

HV-Post can also be installed in concrete similar to other vinyl fence installation methods.



3.

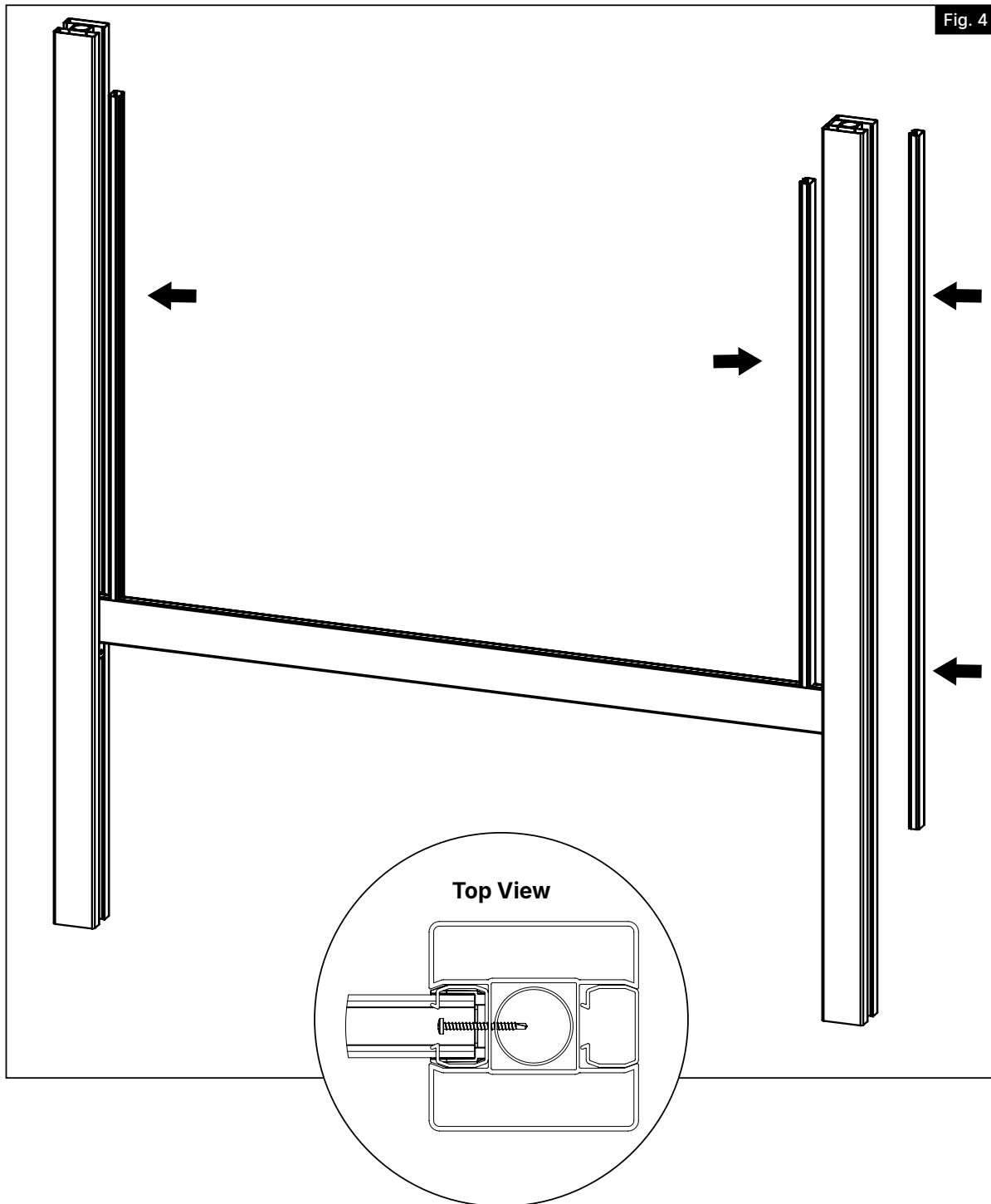
Install bottom rail with brackets attached by sliding it down the post channels. Once rail is 2" from ground level, use screws to secure bracket to post. (Fig. 3).



4.

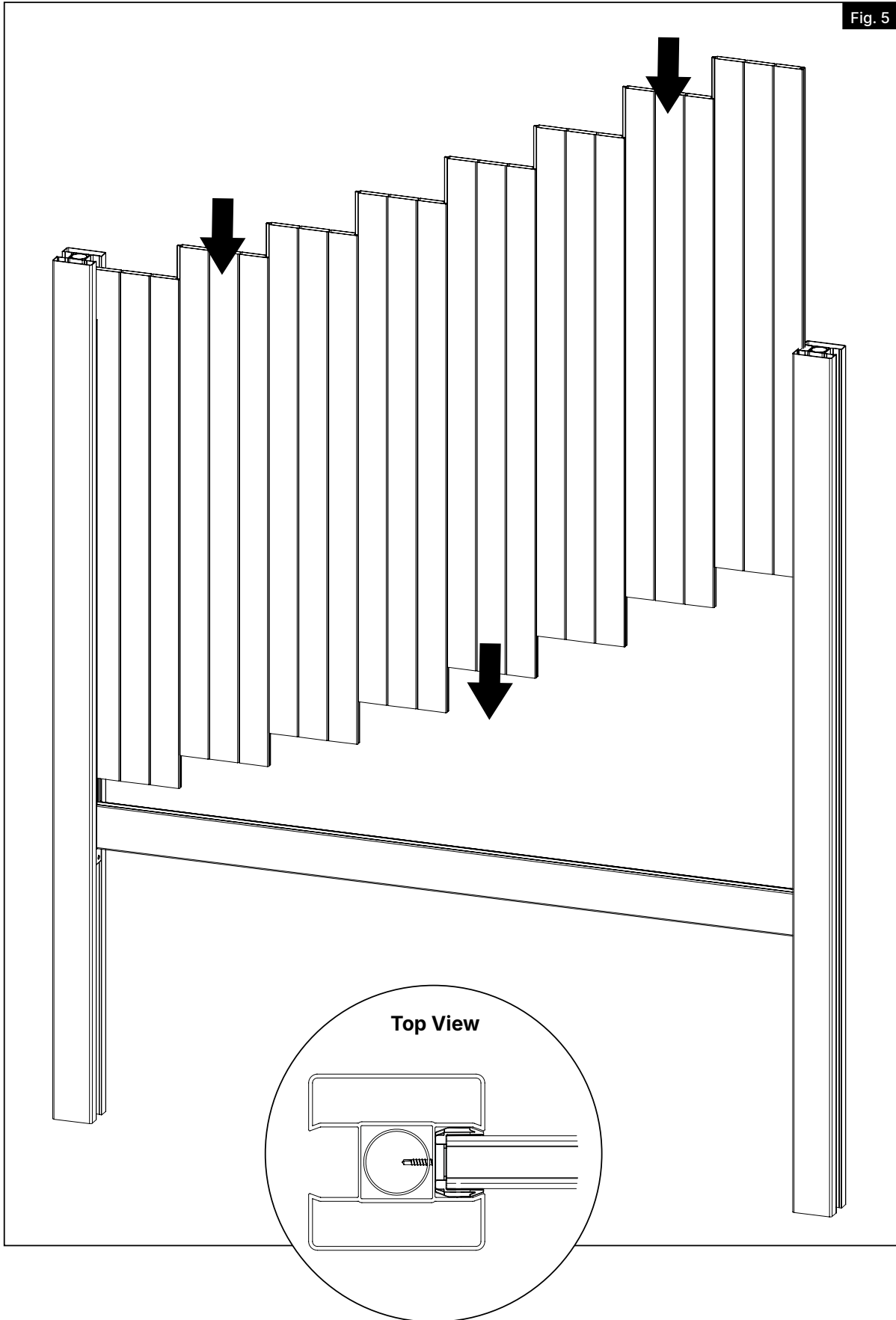
Install C-channels inside the post's channels (Fig. 4). The tongue and groove boards will then slide inside the C-channels for a clean look. The C-channel can also be 'slid' down from the top or snapped in.

Note: The C-channel is reversible and can be put in the channel of an 'End' post to hide the reveal and create a clean finish. PVC Glue can be used to hold it in place or a screw can be inserted at the bottom and top, hidden under the cap or below grade.



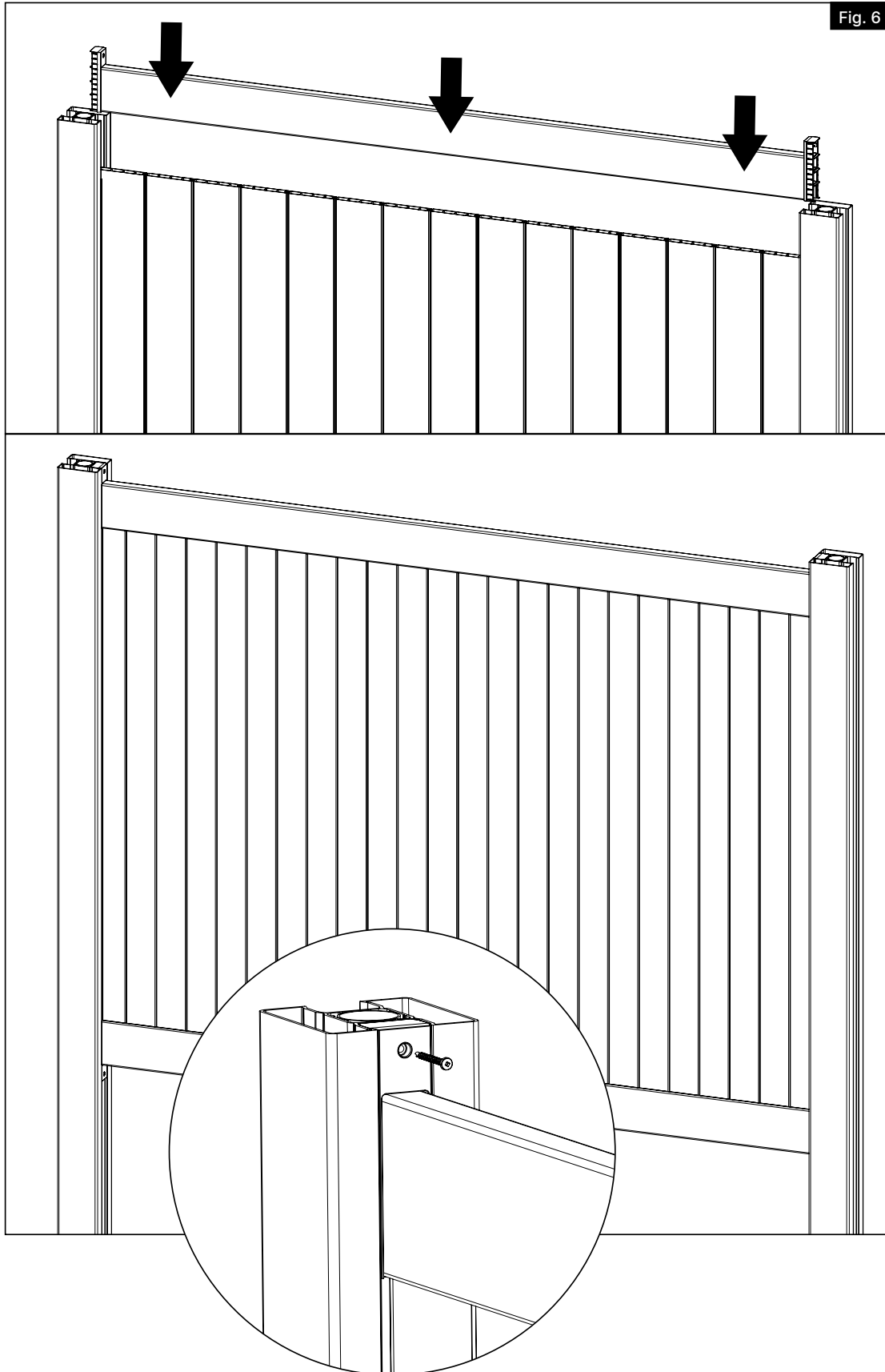
5.

Install infill boards with either tongue-and-groove Tongue-and-Groove Boards or Locking Tongue-and-Groove Boards (Fig. 5.) Tongue-and-Groove Boards come in different width options, quantity required for a fence section will vary based on Tongue-and-Groove Boards used.



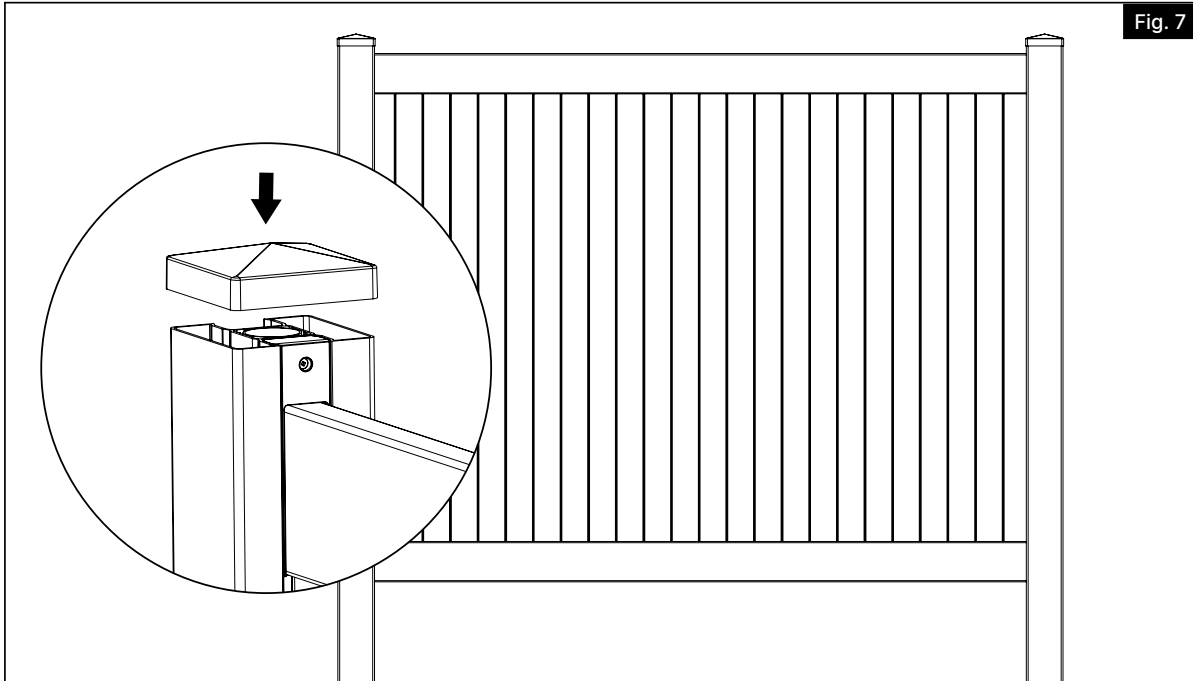
6.

Position top rail and secure in place with screw into top of bracket (Fig. 6).



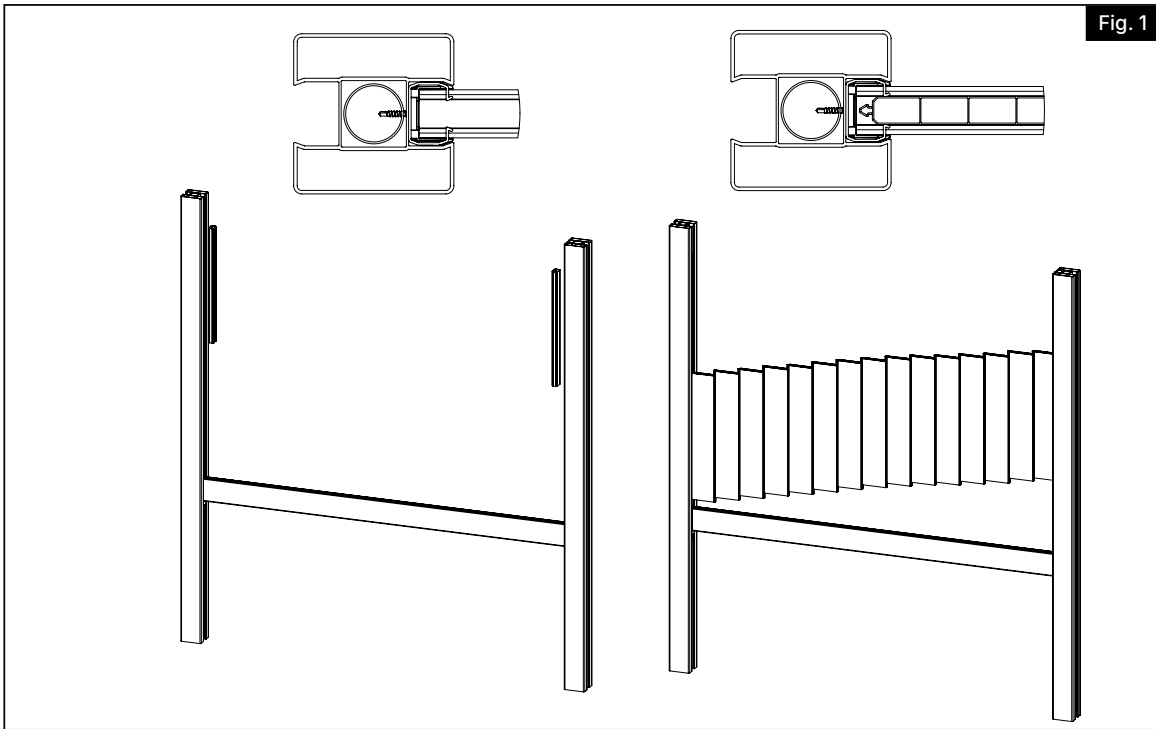
7.

To finish, install post cap to tops of posts (Fig. 7). PVC Glue is recommended to hold cap in place.

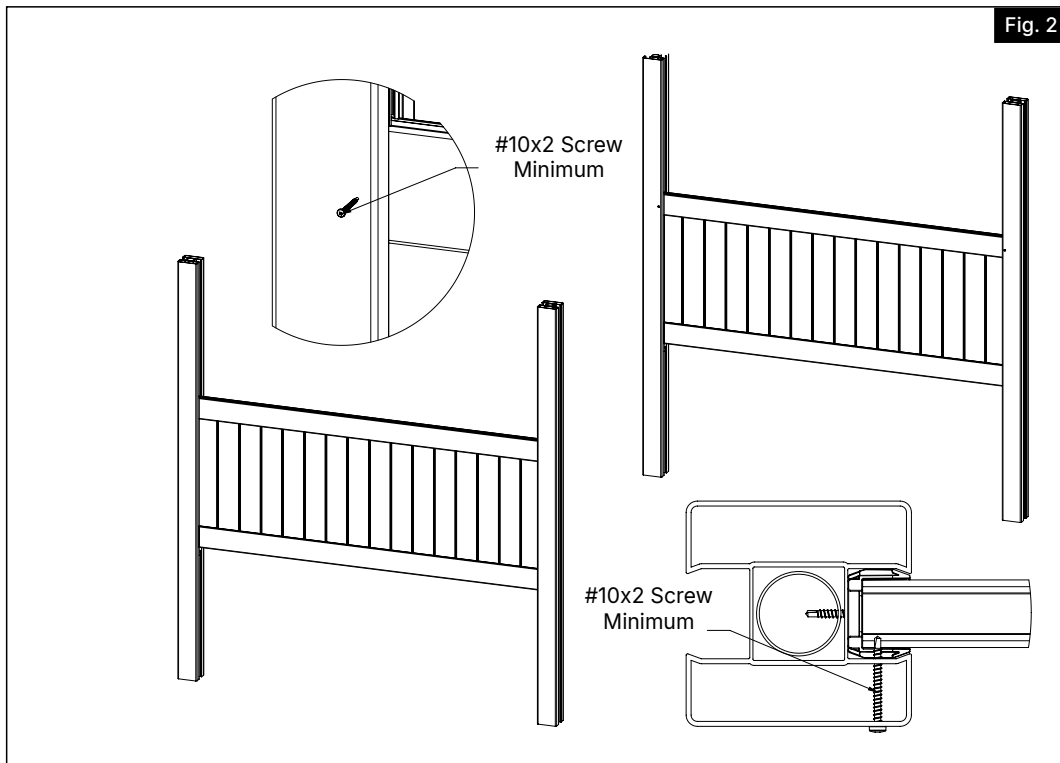


Typical Privacy Fence Install with Mid-Rail Installation

1. Install C-channels into the post as shown below and install infill boards, the first and last infill should be inside in the C-channel.

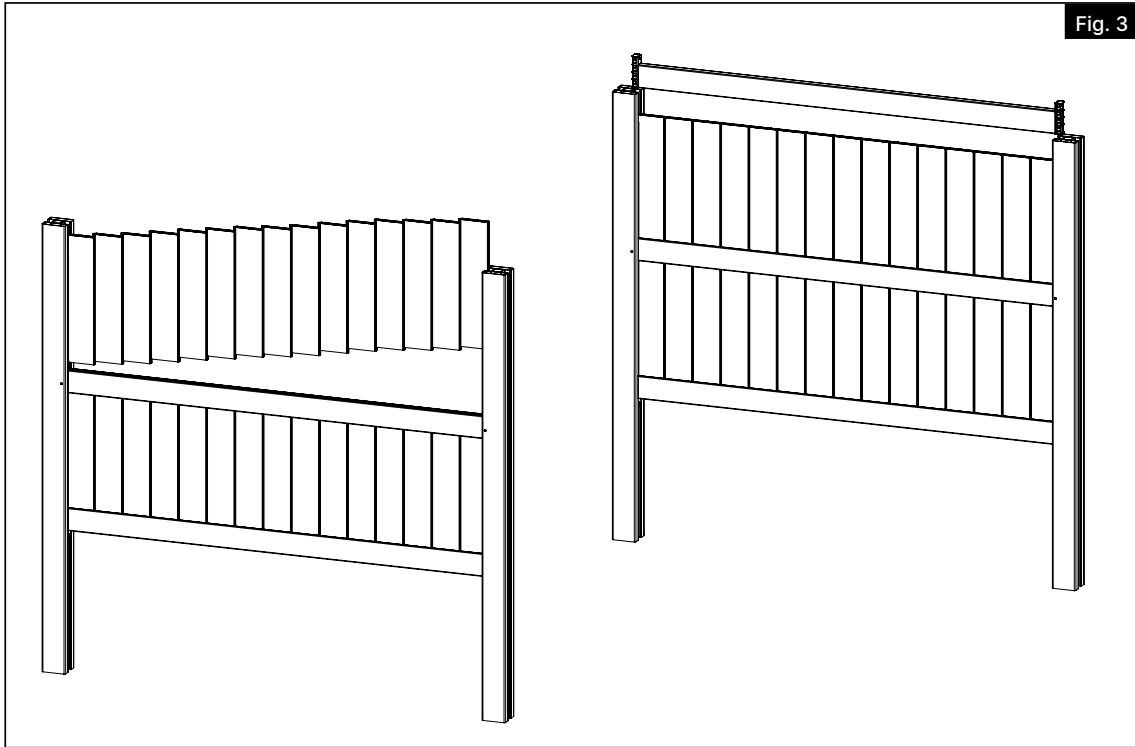


2. If installing mid-rail without brackets, to support the rail, use a #10 screw that is a minimum length of 2". Screw will go from the outside of the post into the mid-rail. Snap caps or other screw head covers can be used to hide the screw head.



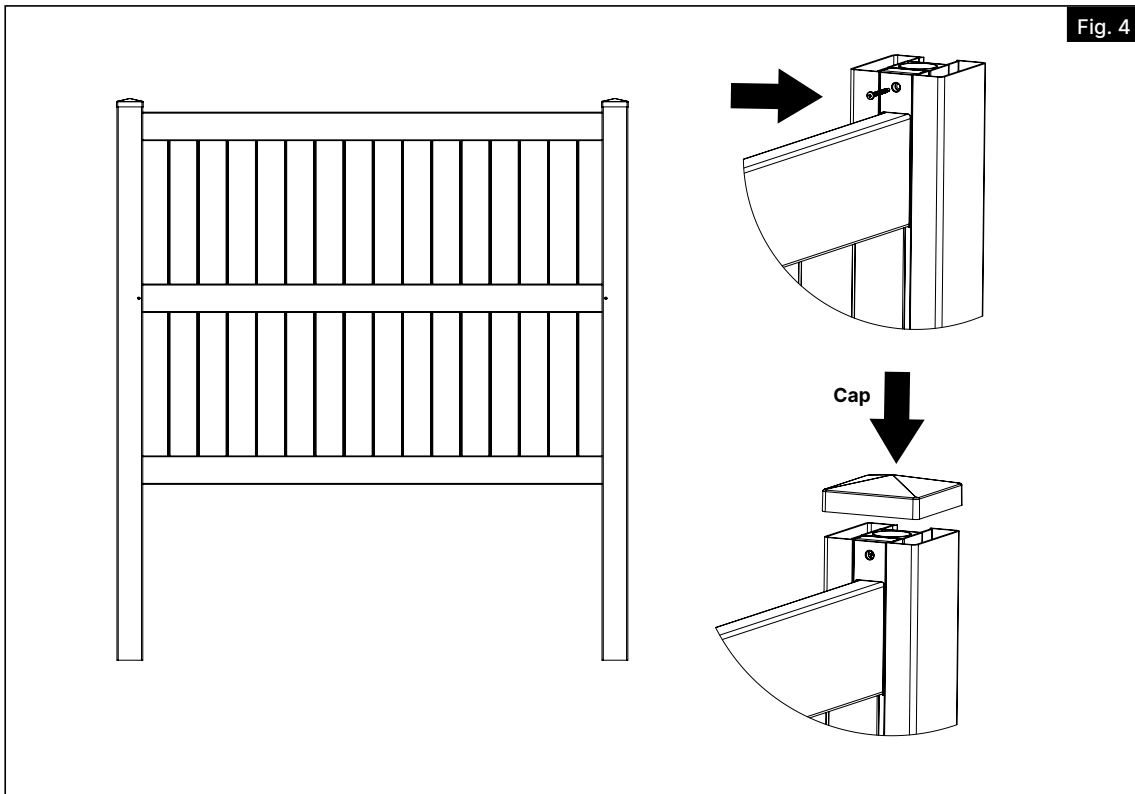
3.

Install top row of infill and C-channels in the same way as the bottom rail.



4.

Install top rail and screw bracket to post, then install cap.





Catalyst™ Fence Solutions
400 Perimeter Center Terrace
Suite 1000
Atlanta, GA 30346
CatalystFence.com • 888.549.7350